

Work instruction

WI3-02

Filling

TRACTIVE

suspension

Revision 1

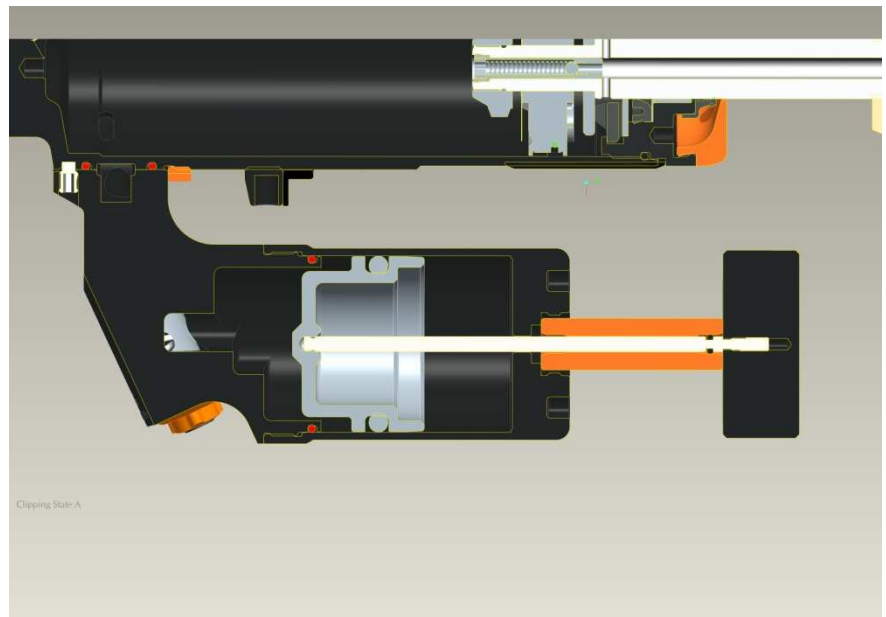
Rev. date 27-9-2011

Authorized quality
manager

Use tool part no 90100038S
together with a vacuum device
machine to fill the shock with oil



Press the sep.piston to it's
position with tool 90100034S.
Reservoir L80 part no 46000033
use the orange bush part no
90100036
Reservoir L100 part no 46000034
use the orange bush part no
90100037
Reservoir L120 part no 46000035
without an orange bush.



Work instruction

WI3-02

Filling

TRACTIVE
suspension

Revision 1

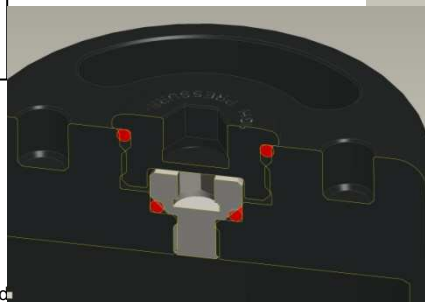
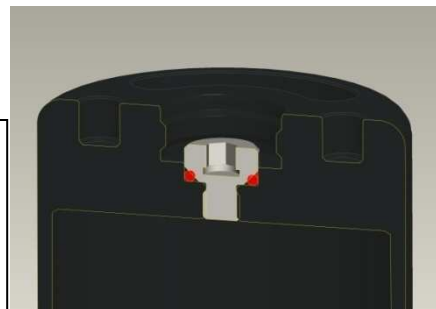
Rev. date 27-9-2011

Authorized quality
manager

Remove the adaptor 90100038S
and clean the surface.
Place O-ring 8 x 1.5 part no
46000150
Srew in plug M8x1 part no
46000120 with an allen key
Torque: 7 Nm



Mount O-ring 7 x 1.5 part no
46000150 and nitrogen plug part
no 46000135
Fill the reservoir with nitrogen
using tool part no 90100013S
(See manual nitrogen device)
Remove the tool and close it with
the rubber plug part no
46000136 or with the cover
M16x1 part no 46000134 and an
O-ring 14 x 1.5 part no 46000151



Work instruction WI3-02 Filling

<i>TRACTIVE</i> <u><i>suspension</i></u>	
Revision 1	Rev. date 27-9-2011
Authorized quality manager	